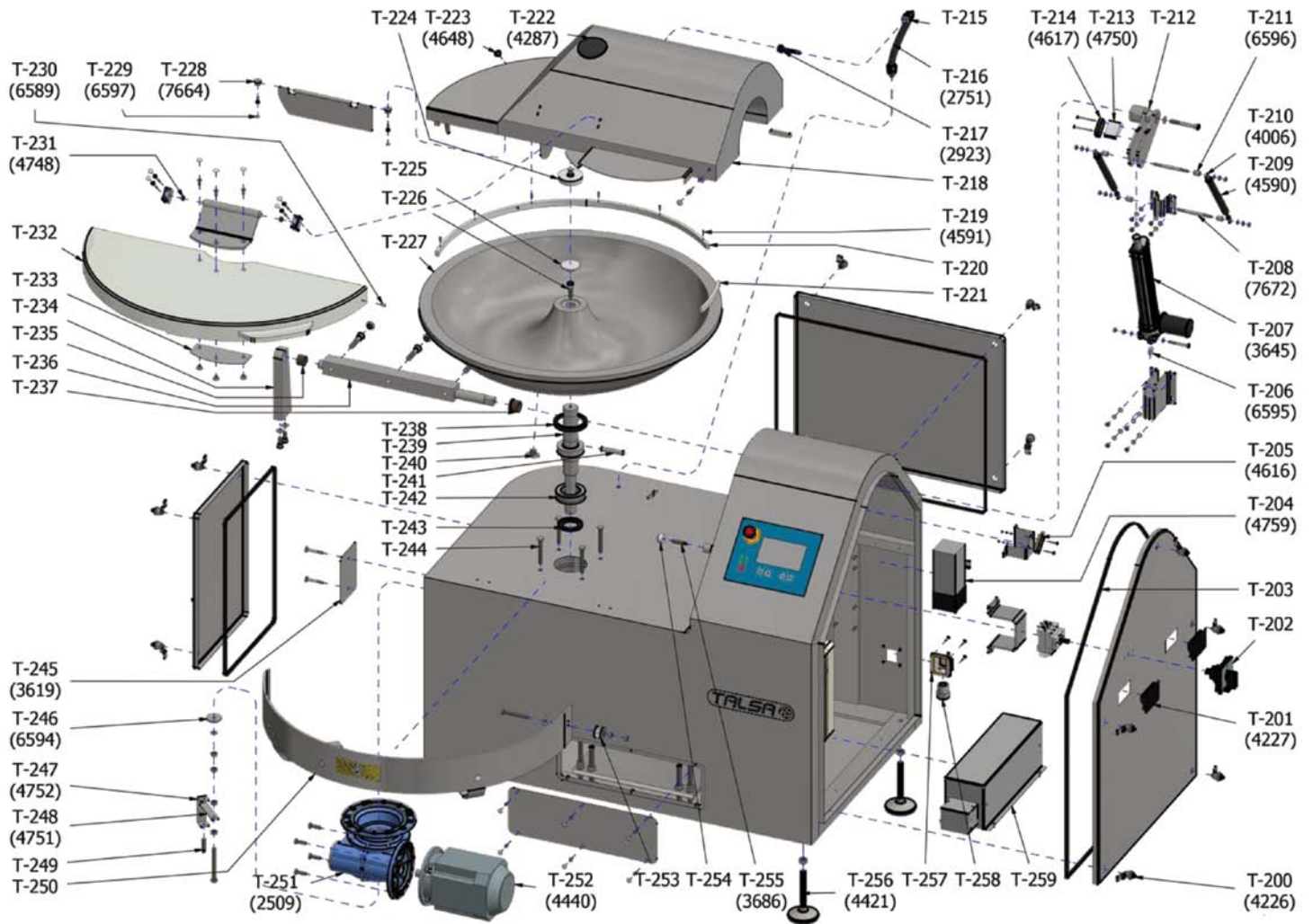


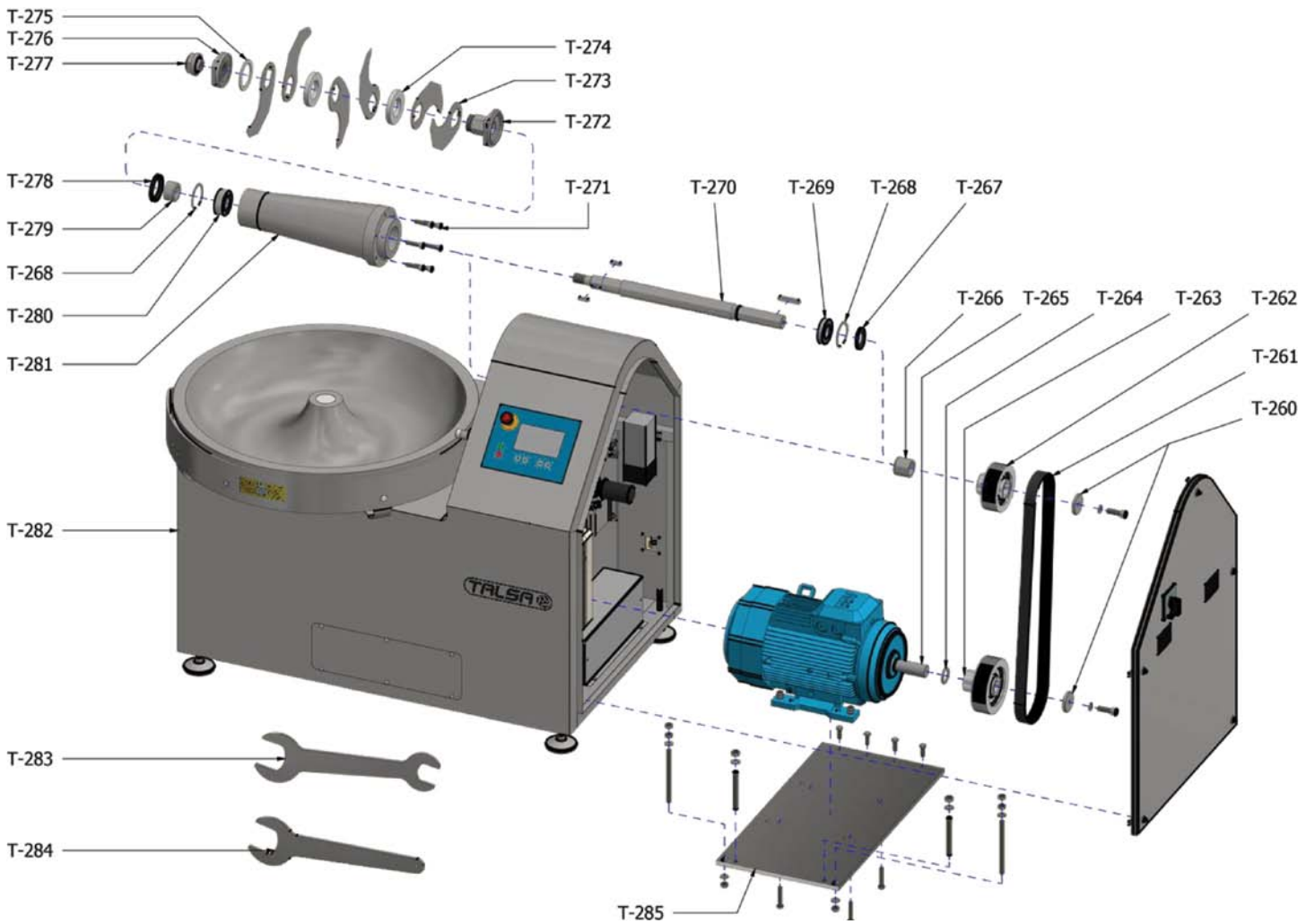
# Parts Breakdown

Model FP-ES-0050 10879



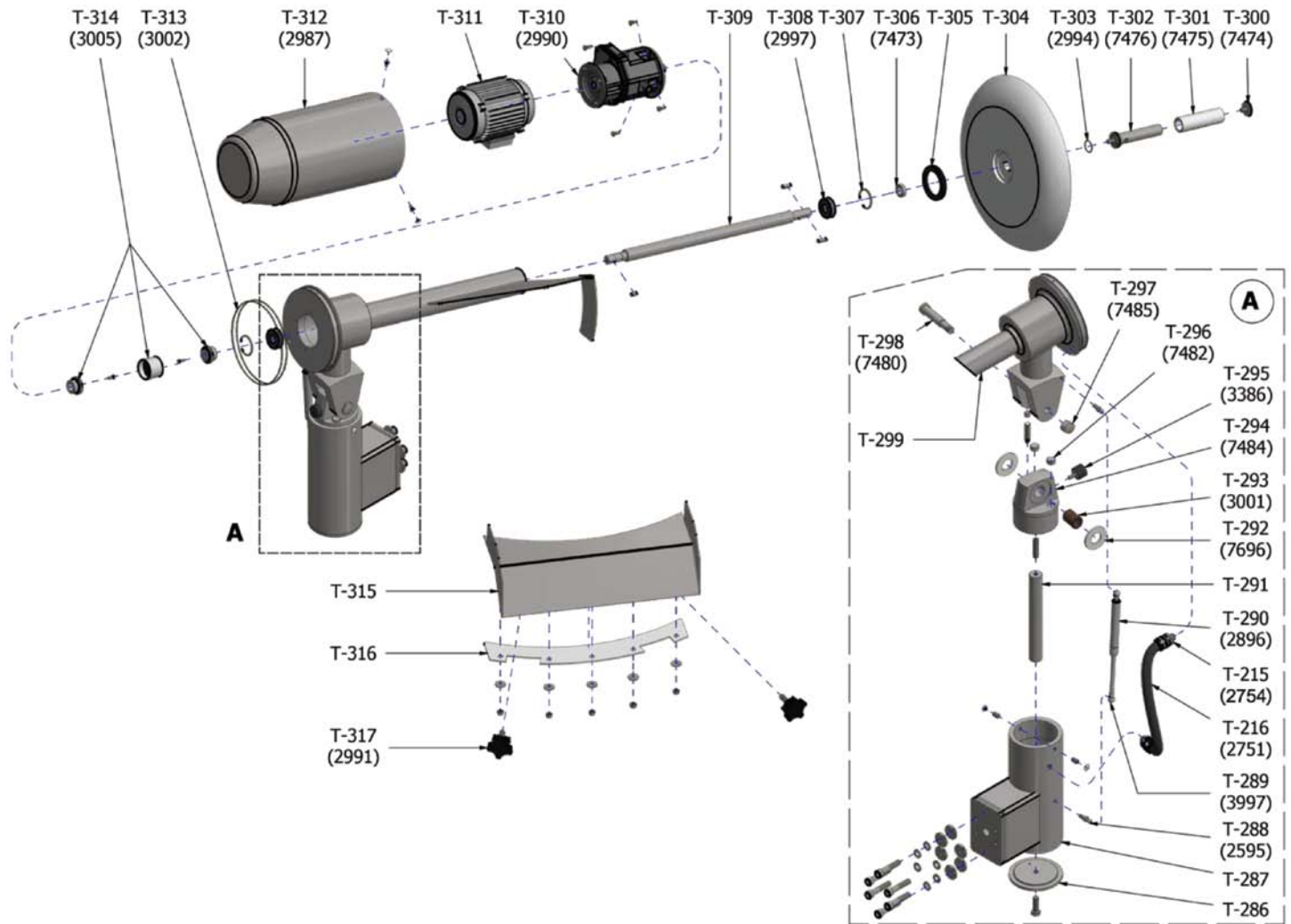
# Parts Breakdown

Model FP-ES-0050 10879



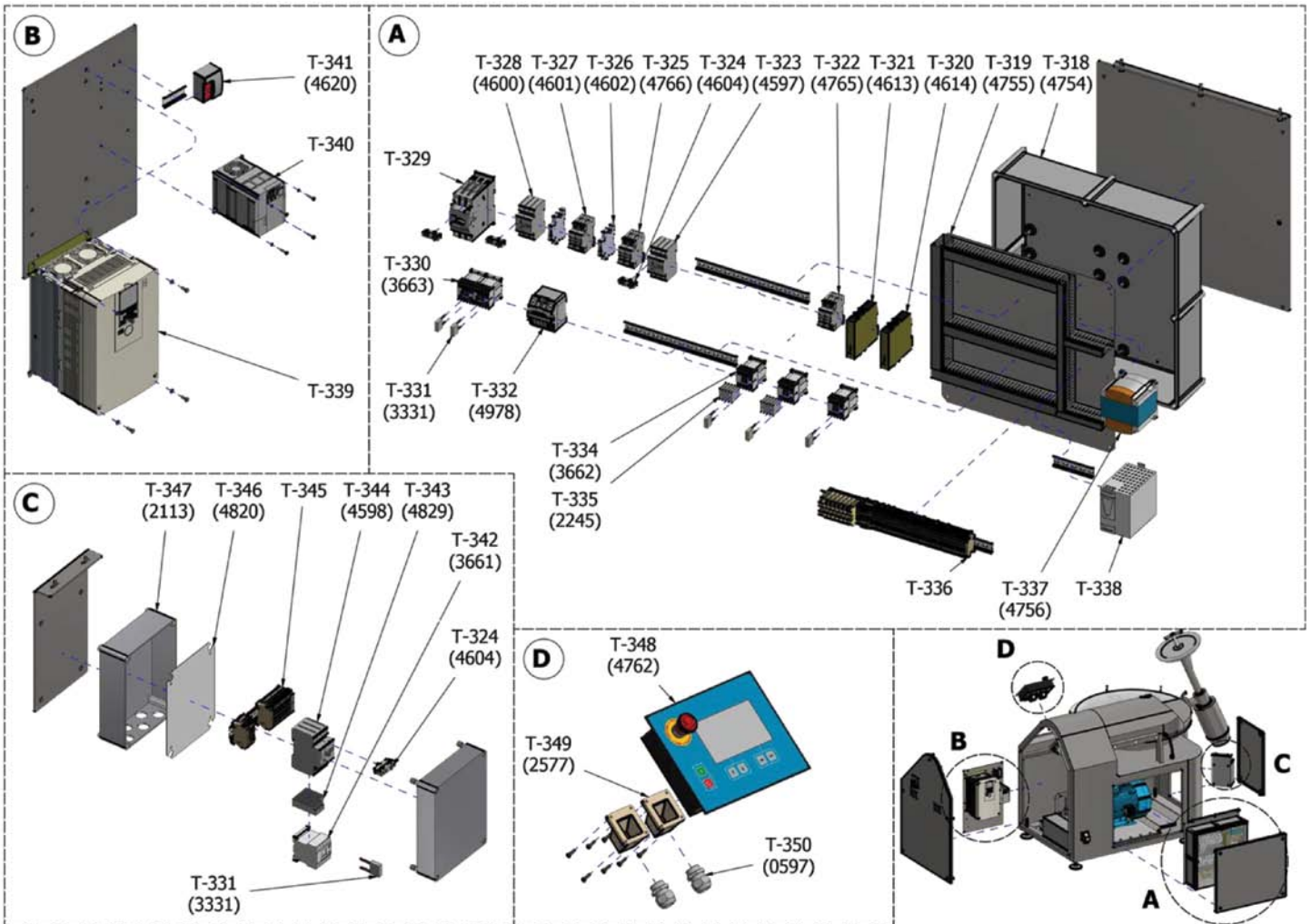
# Parts Breakdown

Model FP-ES-0050 10879



# Parts Breakdown

Model FP-ES-0050 10879



# Parts Breakdown

## Model FP-ES-0050 10879

Item No.	Description	Position	Item No.	Description	Position	Item No.	Description	Position
AE209	Rotating Closure, Stainless Steel, Hygienic for 10879	T-200	AE225	Allen Screw Bowl Center, Stainless Steel for 10879	T-226	36330	Inductive Sensor M12 PNP/NA Rechner IAS-10-A22-S-OEM (Plexi Lid) for 10879	T-255
AE210	Handle for Hatches, Black for 10879	T-201	AE226	Bowl, Cast Stainless Steel for 10879	T-227	AE241	Foot, Stainless Steel for 10879	T-256
AE211	Switch, 3-Phase 80A for 10879	T-202	36412	Hatch Covers Blades Hold for 10879	T-228	AD451	Angular Grommet 90 Grey for 10879	T-257
AE212	Edge Profile, U, 2mm EPDM Black (Access Hatch) for 10879	T-203	AE227	Cover, Knife Lid Flap Holder for 10879	T-229	AD452	Grommet Grey for 10879	T-258
AE213	Electric Heater with Ventilation 250W IP20 for 10879	T-204	AE228	Metal Counterpart for Inductive Sensor, Noise Protection Cover for 10879	T-230	AE242	Breaking Resistor for Electronic Drives for 10879	T-259
AD435	Detector ABB Adam for 10879	T-205	AE229	Brass Bushing for 10879	T-231	AE243	Washer for Pulleys, Motor and Knife Shaft for 10879	T-260
AE214	Aluminum Washer for Lid Lifter for 10879	T-206	AE230	Noise Protection Cover, Transparent Plastic for 10879	T-232	AE244	Toothed Belt, Poly-V Multi-Rib for 10879	T-261
36409	Lid Lift Lineal LMR03 C300 ROE FC2.RH (Stainless Steel Lid) for 10879	T-207	36286	Lower Hinge Holder for Plexi Cover Stainless Steel for 10879	T-233	AE245	Toothed Belt, Poly-V Multi-Rib for 10879	T-261
36410	Shaft Leva Top Lid D.10 AISI303 for 10879	T-208	36279	Column Holder Stainless Steel Lid for 10879	T-234	AE246	Pulley, Poly-V Knife-Shaft for 10879	T-262
AE215	Air Piston for 10879	T-209	36278	Bronze Bushing B11 A-16-20-20 (2nd Holder Column Stainless Steel Lid) for 10879	T-235	AE247	Pulley, Poly-V Motor for 10879	T-263
AE216	Mounting Holder Air Piston for 10879	T-210	AE231	Square Shaft, Knife Lid, Stainless Steel for 10879	T-236	AE248	Pulley, Poly-V Motor for 10879	T-263
AE217	Socket Axis Cam, Knife Lid AISI303 for 10879	T-211	36275	Bronze Bushing B11 B-28-36-30/44-4 (Stainless Steel Lid Frame Entry) for 10879	T-237	AE249	Ring, Knife Motor for 10879	T-264
AE218	Welded Lid Lever for 10879	T-212	AE232	Gasket, Bowl Shaft, Top for 10879	T-238	AE250	Ring, Knife Motor for 10879	T-264
AE219	Extension for Detector for 10879	T-213	AE233	Bowl Shaft Gearbox Drive, AISI303 for 10879	T-239	AE251	Knife Motor for 10879	T-265
AD433	Detector ABB Eve for 10879	T-214	AE234	Bowl Drain Plug, Stainless Steel for 10879	T-240	36239	Socket, Knife-Pulley for 10879	T-266
AD445	Grommet, Grey for 10879	T-215	AD440	Cylindrical Pin Gearbox Shaft for 10879	T-241	36303	Brushing Gasket (1 Knife Shaft Pulley Side) for 10879	T-267
36158	Protection Tube Reforced D.10/PG9 Thermometer Sensor (Probe Cutters) for 10879	T-216	AE235	Stainless Steel Hexagonal Screw, Bowl Gearbox for 10879	T-244	36266	Circlip DIN472 Hole D.72 2.5mm Black Steel (3 Knife Shaft Holder) for 10879	T-268
36156	Stainless Steel Probe D.10 15 3M Digital Thermometer for 10879	T-217	AD461	Washer D.12.5xD.50x8mm for 10879	T-246	36267	Ball Bearing SKF (2 Shaft) for 10879	T-269
AE220	Stainless Steel Knife Lid for 10879	T-218	AE236	Sub-Panel, Inductive Bowl Sensor for 10879	T-247	AE252	Knife-Shaft, Stainless Steel for 10879	T-270
AD443	Spring Positioner (Friction Band) for 10879	T-219	AE237	Panel, Inductive Bowl Sensor for 10879	T-248	AE253	Allen Screw with Hole (Knife Shaft), Stainless Steel for 10879	T-271
AE221	Main Bowl-Lid Friction Band for 10879	T-220	AE238	Inductive Bowl Sensor for 10879	T-249	AE254	Hexagonal Holder for Knives, Counter Clockwise, Stainless Steel for 10879	T-272
AE222	Minor Bowl-Lid Friction Band for 10879	T-221	AE239	Front Bowl Guard, Stainless Steel for 10879	T-250	36283	Knife, Cutter 4C, Flat for 10879	T-273
AE223	Noise Protection Cover Stop, Black Rubber for 10879	T-222	36263	Gearbox MI-90F SITI R1/80 B-D.200 Shaft 24 32011 for 10879	T-251	AE255	Spacer Ring, White, 3 Knives for 10879	T-274
76716	Transparent Anti-Noise Lid for 10879	T-223	AE240	Bowl Motor, 230/400V-50Hz 1,5KW for 10879	T-252	AE256	Spacer Ring, White, 6 Knives for 10879	T-274
AE224	Knife Lid - Bowl Stop for 10879	T-224	36301	Spacer, Front Bowl Guard, Stainless Steel for 10879	T-253	AE257	Knife Holding Ring Nut, White Arnite for 10879	T-275
AD446	Cover for Center Bowl Screw for 10879	T-225	36271	Green Protector Plastic Inductive Detector Cover Plexi for 10879	T-254	36284	Knife Fixing Nut Counter-Clockwise 2-Surface Stainless Steel for 10879	T-276

# Parts Breakdown

## Model FP-ES-0050 10879

Item No.	Description	Position	Item No.	Description	Position	Item No.	Description	Position
36285	Blocked Nut, End of Knife Shaft, Counter Clockwise, Stainless Steel for 10879	T-277	AE264	Thermal Magnetic Circuit Breaker 2P 4A for 10879	T-322	AE271	Terminal Blocks Main Panel for 10879	T-336
36265	Brushing Gasket (Bearing Knife-Shaft) for 10879	T-278	AE265	Circuit Breaker-Motor Protection 2,5A for 10879	T-323	AE272	Transformer, PRI 400/230V SEC 110/230V for 10879	T-337
36270	Ring Stainless Steel D.45 35 34mm Gasket-Knives Holder for 10879	T-279	AD474	Camara for Auxiliary Contacts for 10879	T-324	AE273	Power Supply 10A 24V for Machines 3x400/380V 50/60Hz for 10879	T-338
36267	Ball Bearing SKF (2 Shaft) for 10879	T-280	AD468	Thermal Magnetic Circuit Breaker 2P 2A for 10879	T-325	AE274	Power Supply 10A 24V for Machines 3x200/240V 50/60Hz for 10879	T-338
AE258	Knife Shaft Torpedo, Stainless Steel, without Accessories for 10879	T-281	AD469	Auxiliary Contact 6A for 10879	T-326	AE275	Electronic Drive for Knife Motor for 10879	T-339
AE259	Machine Cabinet with Access Panel + Base + Accessories for 10879	T-282	AE266	Thermal Magnetic Circuit Breaker 2P 10A for 10879	T-327	AE276	Electronic Drive for Bowl Motor for 10879	T-340
36222	Knife Dismantling Wrench 55/75mm (Combined) for 10879	T-283	AE267	Circuit Breaker-Motor Protection 8A for 10879	T-328	AD429	Hygro-Thermostat 240V IP20 for 10879	T-341
36223	Knife Dismantling Wrench 75mm (Large) for 10879	T-284	AE268	Circuit Breaker-Motor Protection 63A for 10879	T-329	AE277	Terminal Blocks, Unloader Arm for 10879	T-345
AE260	Motor Platform for 10879	T-285	36315	Contactora LG GMD-6MR 2B DC24V 3W 6A 1 for 10879	T-330	AE278	Control Panel with Touch Screen for 10879	T-348
AE261	Isolating Box, Modular, Transparent Cover for 10879	T-318	AE269	Antiparasite Block, AC-DC24/48V (Contactora) for 10879	T-331	AD451	Angular Grommet 90 Grey for 10879	T-349
AE262	Base Plate for Isolating Box for 10879	T-319	AE270	4-Channel Electronic Circuit Switch 24VDC/1-2-4-6A for 10879	T-332	AD452	Grommet Grey for 10879	T-350
AD470	Safety Relay ABB Sentry SR42 for 10879	T-320	36314	Contactora LG GMD-6M DC24V 2W 1B 6A for 10879	T-334			
AE263	Safety Relay ABB Sentry SR10 for 10879	T-321	36227	2 Auxiliary Contacts LG AU-2M 1A1B 1NA/1NC for 10879	T-335			